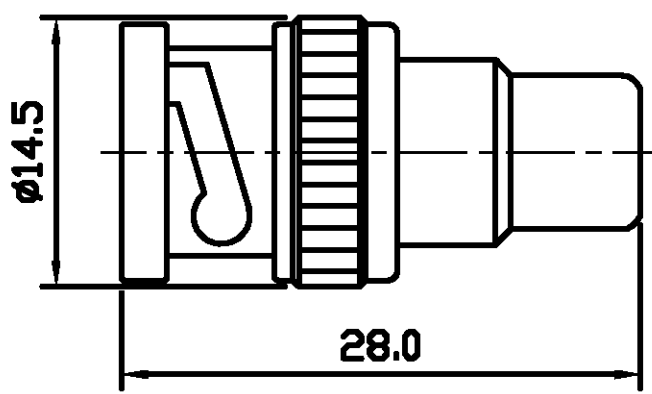


LOC	DIST	REVISIONS					
E	B	P	LTR	DESCRIPTION	DATE	DWN	APVD
		A		RELEASE FOR PRODUCTION	18.12.00	RS	RG



ALL DIMENSIONS ARE NOMINAL. FOR REFERENCE ONLY.

DIE SET PART NUMBER	N/A
HANDTOOL PART NUMBER	N/A
FOR USE ON CABLES	N/A
CONNECTOR PLATING DETAIL	NICKEL
CONTACT PLATING DETAIL	GOLD
DIELECTRIC MATERIAL	TEFLON
GASKET MATERIAL	WHITE SILICONE RUBBER

BAG	SINGLE ITEM	1-1478036-0
PACK TYPE	DESCRIPTION	PART NUMBER

THIS DRAWING IS A CONTROLLED DOCUMENT.		DWN	18.12.00	Tyco Electronics Corporation	
		R SMITH		Stanmore, Middlesex, HA7 4RS	
		CHK	18.12.00		
		R GOODALL			
		APVD	18.12.00	NAME	
		R GOODALL		I/SER ADAPTOR BNC P-RCA J 75 OHM	
		PRODUCT SPEC			
		108-3435			
		APPLICATION SPEC			
		WEIGHT	-	SIZE	RESTRICTED TO
		CUSTOMER DRAWING		A3	-
		SCALE	NTS	CAGE CODE	DRAWING NO
				00779	1478036
		SHEET	1	OF	1
		REV	A		